

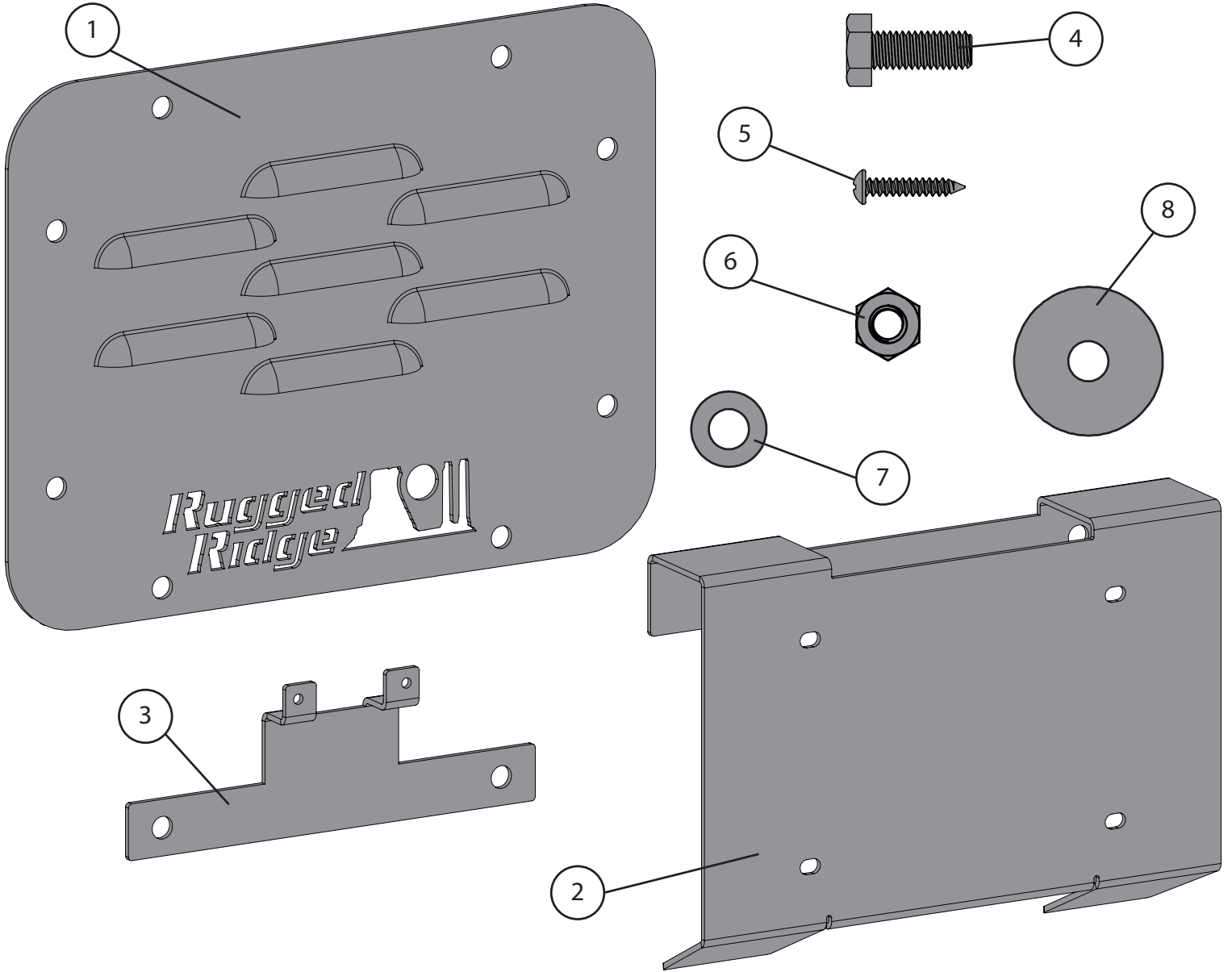


OMIX-ADA, Inc.

460 HORIZON DR. SUITE 100 | SUWANEE, GA 30024 | PHONE: 770-614-6101 | FAX: 770-614-6069 | info@omix-ada.com

Part #11586.10  
11586.11

# Tire Carrier Delete Plate



## Components

1. Delete Plate

**For 11586.11 Only:**

2. License Plate Bracket

3. Brake Light Bracket

- |     |                        |     |
|-----|------------------------|-----|
| (1) | 4. Hex Head Screw      | (4) |
|     | 5. Phillips Head Screw | (4) |
|     | 6. Hex Nut             | (4) |
| (1) | 7. Washer              | (4) |
| (1) | 8. Fender Washer       | (8) |

### OMIX-ADA® TECHNICAL SUPPORT

PHONE: M-F 8am - 5pm EST 1-800-449-6649 | EMAIL: techsupport@omix-ada.com

FOR WARRANTY INFORMATION VISIT: [www.Omix-Ada.com](http://www.Omix-Ada.com)

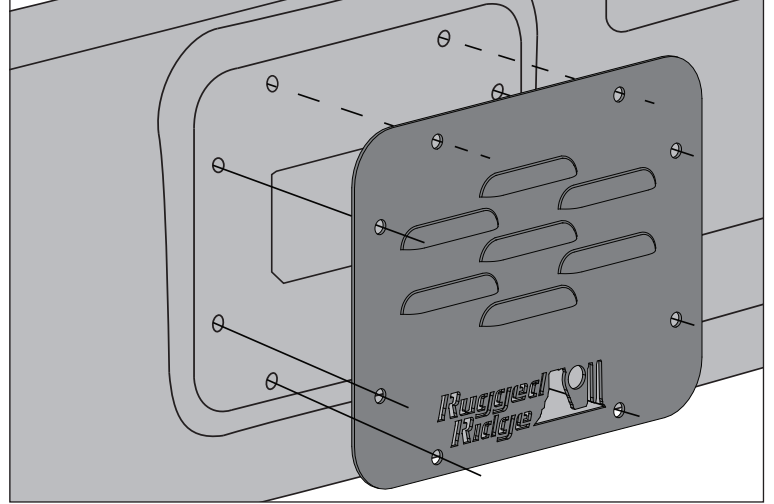


OMIX-ADA, Inc.

460 HORIZON DR. SUITE 100 | SUWANEE, GA 30024 | PHONE: 770-614-6101 | FAX: 770-614-6069 | info@omix-ada.com

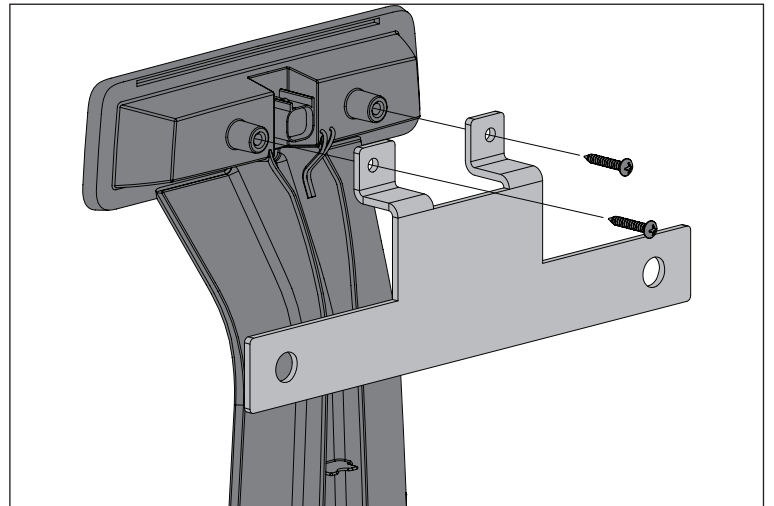
## Tire Carrier Delete Plate

1. Remove spare tire and tire carrier.
2. Clean area underneath tire carrier.
3. Install Tire Carrier Delete Plate using OE Bolts. If installing Tire Carrier Delete Plate Kit 11586.11, do not install top two bolts. Retain for later use.

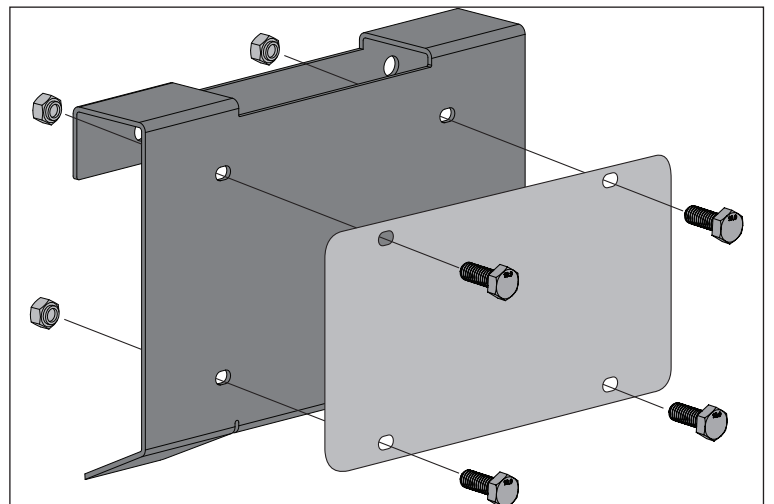


For 11586.11:

4. Using provided Phillips Head screws, attach third brake light to Brake Light Bracket.



5. Using provided Hex Bolts, Washers, and Nuts, attach license plate to License Plate Bracket.





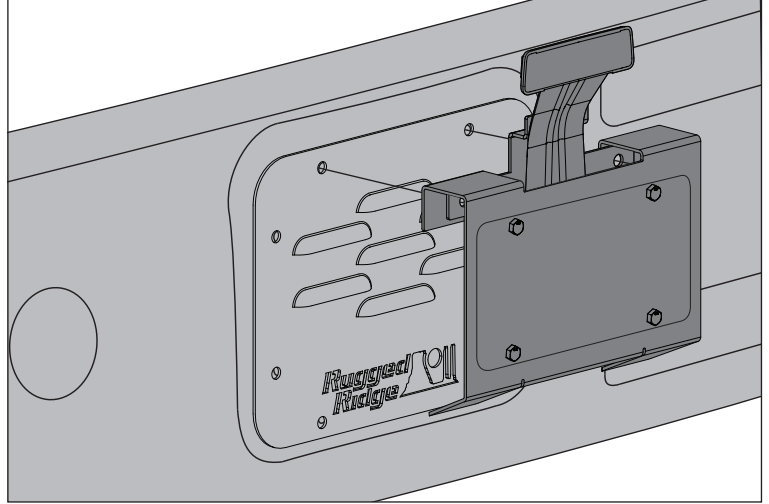
OMIX-ADA, Inc.

460 HORIZON DR. SUITE 100 | SUWANEE, GA 30024 | PHONE: 770-614-6101 | FAX: 770-614-6069 | info@omix-ada.com

## Tire Carrier Delete Plate

6. Place Third Brake Light assembly in opening of License Plate Bracket.

7. Align all holes with Tire Carrier Delete Plate and attach using OE Bolts.



8. Reattach Third Brake Light power plug.

