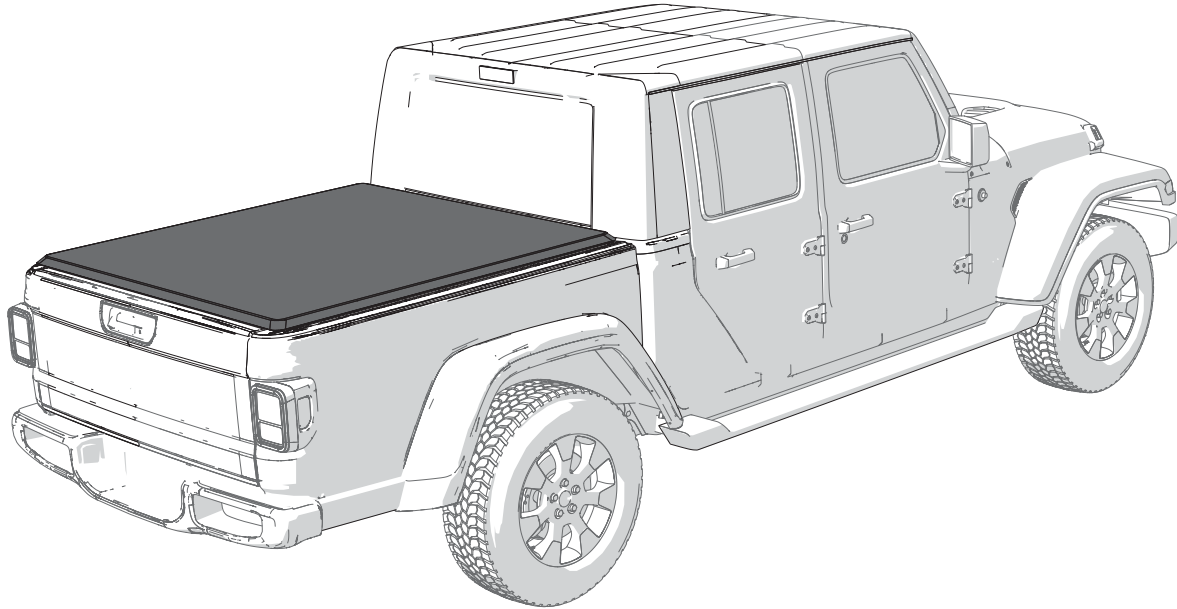
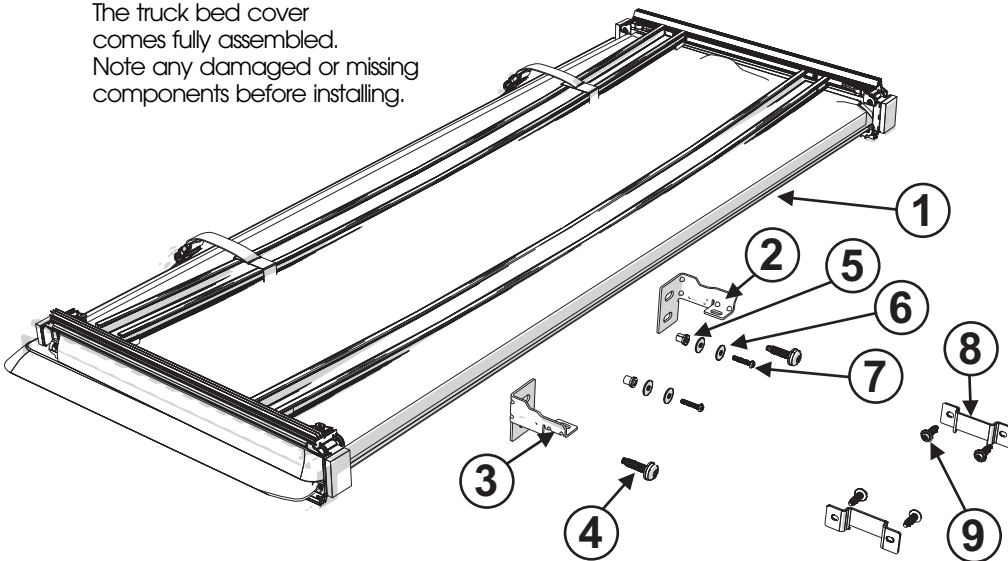


Soft Folding Truck Bed Cover



The truck bed cover comes fully assembled. Note any damaged or missing components before installing.



Call Out	Description	Quantity
1	Soft Folding Cover Assembly	1
2	RH (passenger side) Cab Bracket	1
3	LH (driver side) Cab Bracket	1
4	Cab Bracket Bolt	2
5	Cab Bracket Well Nut	2
6	Cab Bracket Washer	4
7	Cab Bracket Screw	2
8	Tail Bracket	2
9	Tail Bracket Screw	4

OMIX-ADA® TECHNICAL SUPPORT
PHONE: M-F 8am - 5pm EST 1-800-449-6649 | **EMAIL:** techsupport@omix-ada.com
FOR WARRANTY INFORMATION VISIT: www.Omix-Ada.com

Any missing parts will be shipped to you directly, do not return the whole kit to the store.
 Please contact Technical Support

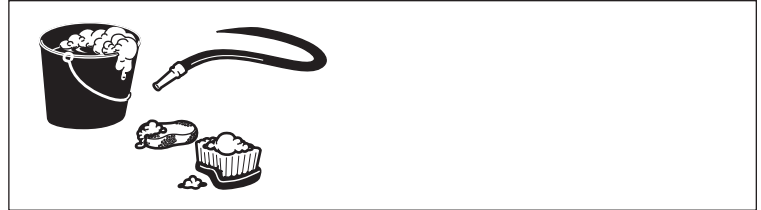
ATTN: STATE OF CALIFORNIA CONSUMERS
WARNING: Cancer and Reproductive Harm - www.P65Warnings.ca.gov.



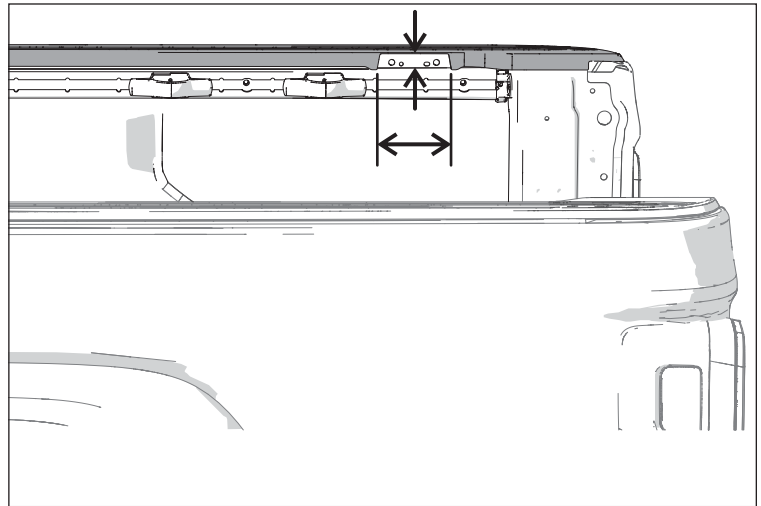
3 1 9 2 0 9 6 0 - 3 0

Soft Folding Truck Bed Cover

1. It is important that all areas of the bed cover installation are clean and free of debris prior to installing.

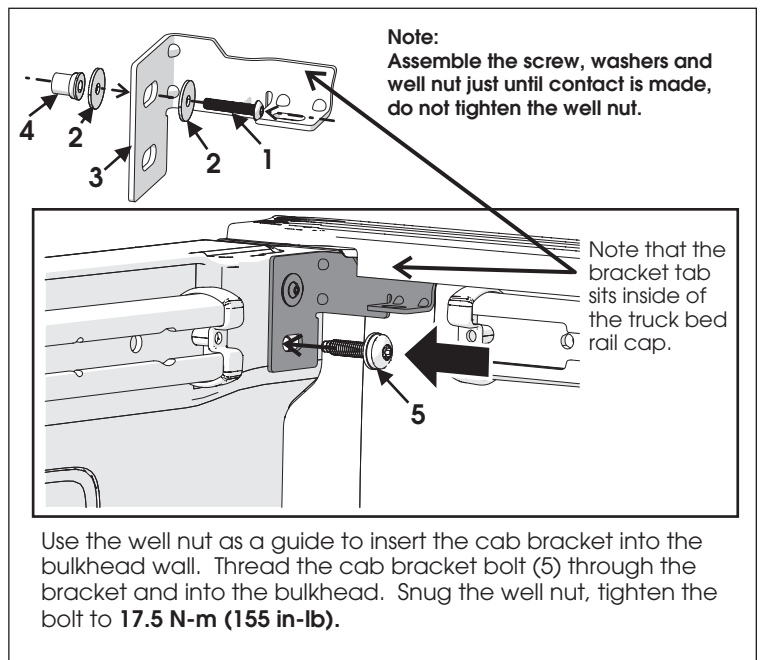
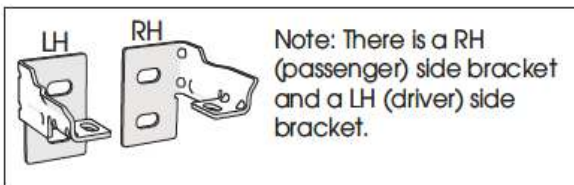


2. If the bed rail caps are not trimmed in the rear /tailgate section, cut using the scribed lines to expose the area shown.



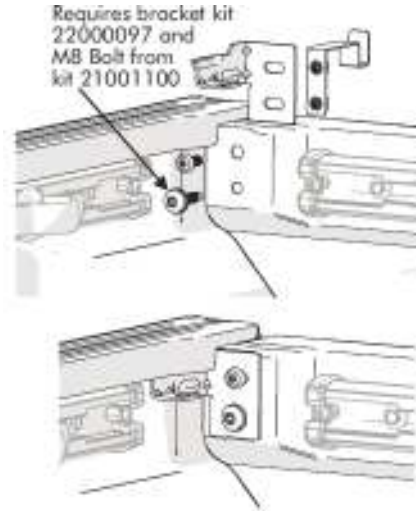
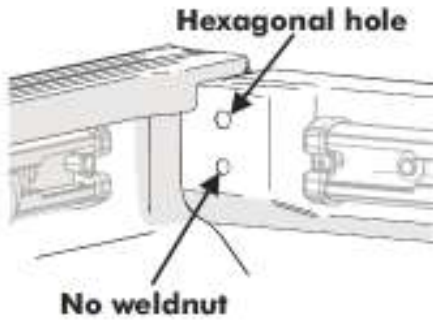
3. Weldnut

Front/ Cab Brackets, insert the cab bracket screw (1) through the cab bracket washer (2) then through the upper hole of the cab bracket (3). Slide a second washer (2) on the screw on the backside of the bracket and thread into the well nut (4).

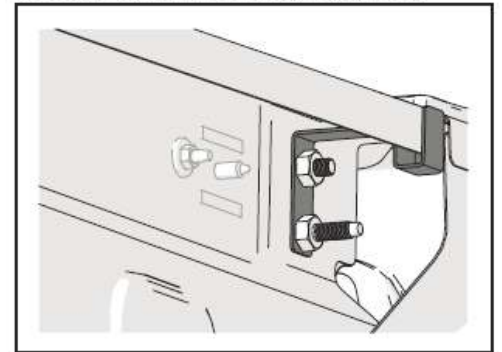


Soft Folding Truck Bed Cover

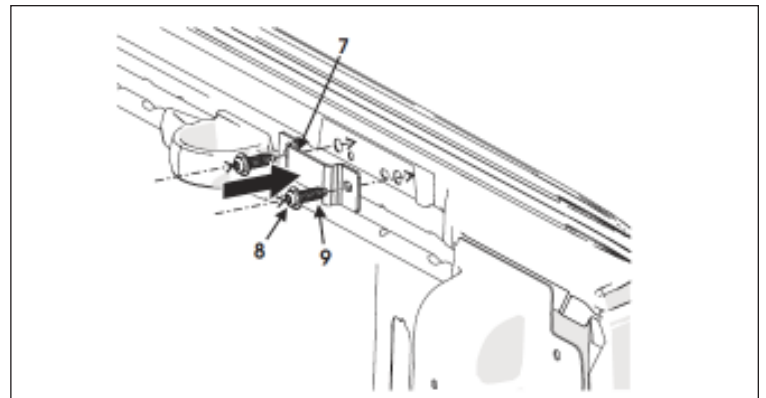
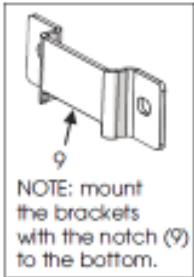
4. No Weldnut



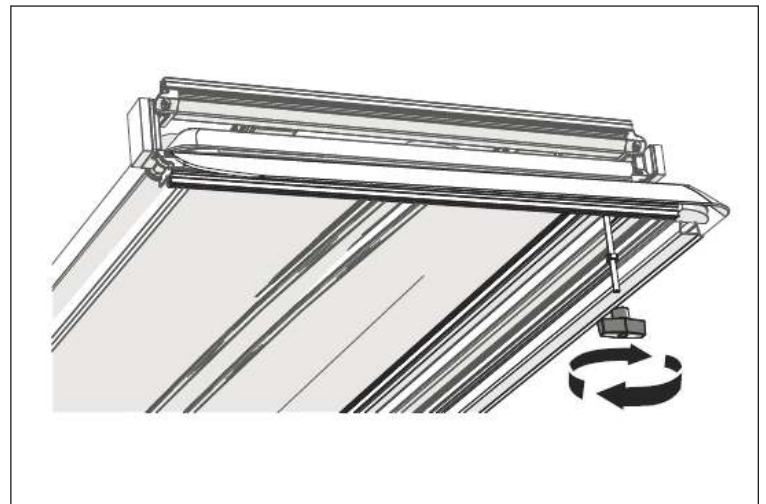
This is an explanation reference view showing the install from the driver's side between the truck cab and bed.



5. Rear/tailgate Brackets. Attach the rear/tailgate brackets (7) to the bed rail through the bed rail holes using the rear bracket bolts (8). **Tighten to 8 N-m (71 in-lb).**

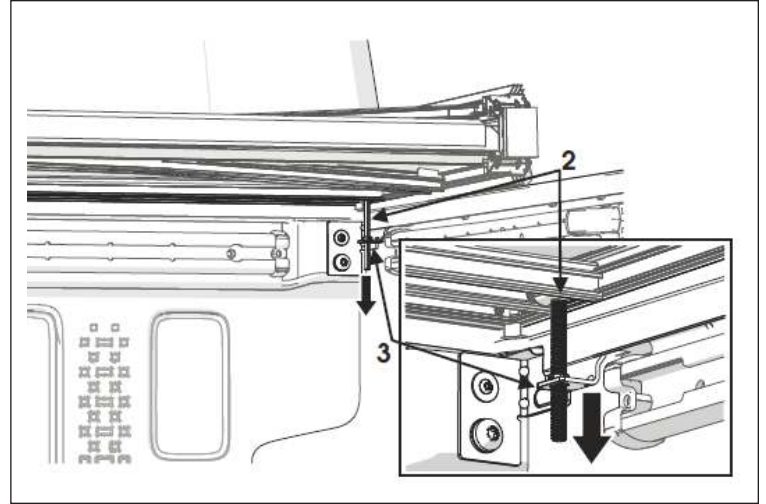


6. Prior to placing the cover, remove both front clamp knobs.



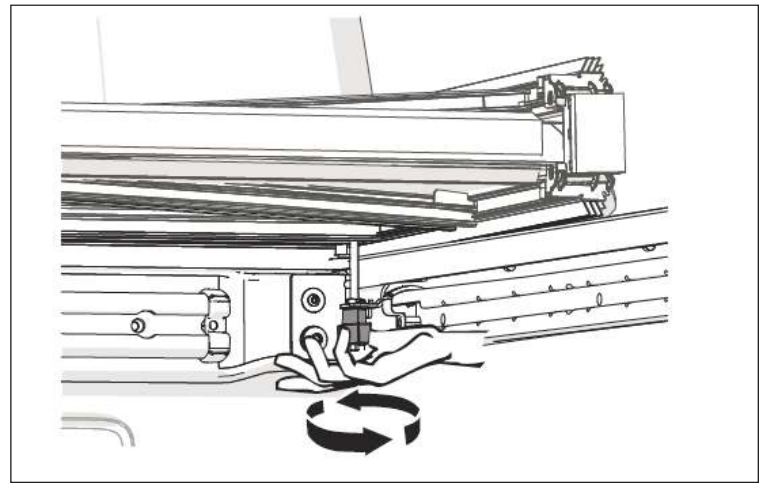
Soft Folding Truck Bed Cover

7. Place the cover onto the truck bulkhead and bed rails, making sure to slide the cab clamp threaded rods (2) through the cab clamp brackets (3). Align both sides.

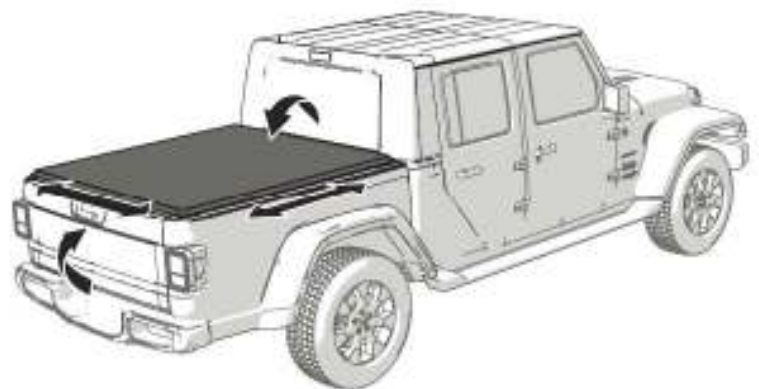


8. Thread the cab clamp knobs back onto the threaded rods.

**Do Not use a wrench or over-tighten.
Securely tighten both sides.**

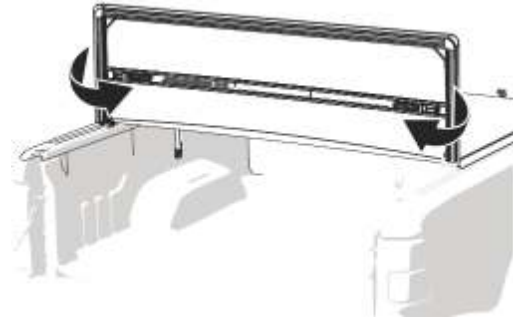


9. Close the tailgate and unfold the cover. Check that the cover is parallel and square with the truck bed and bed rails. If not parallel or square, open the cover and loosen the cab clamps to reposition the cover.

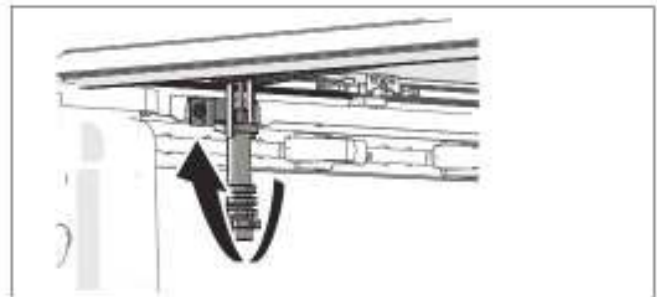
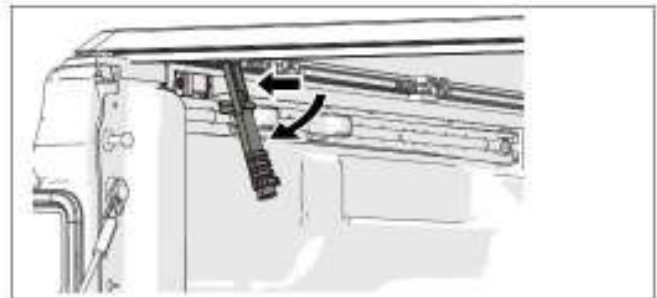
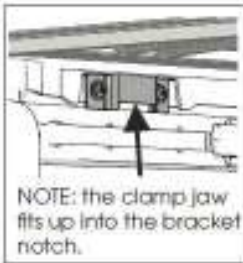


Soft Folding Truck Bed Cover

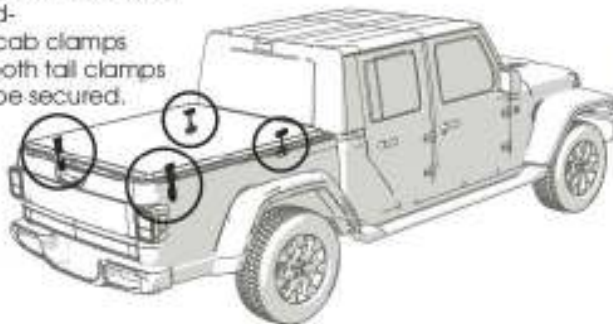
10. **NOTE:** When opening the cover, be sure to stow the tail clamps into the cover bow to prevent damage to the tarp when folded.



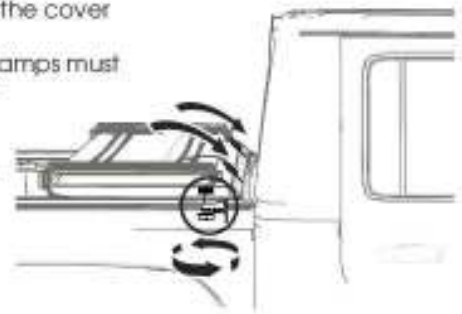
11. Open the tailgate, swing the tail clamps down from the stowed position and slide them toward the truck bed rail. Swing the clamps and pull down so the clamp jaw is tucked under the rear truck bed rail bracket.



Driving with the cover closed- both cab clamps and both tail clamps must be secured.



Driving with the cover open- both cab clamps must be secured, and both straps must be latched.



IMPORTANT

Re-tighten the front / cab clamps after the first week of driving the vehicle. Also periodically check the clamps to ensure they are secure.

IMPORTANT NOTICE

While driving, cover must be completely flat and secure with all four clamps in the closed position or completely folded up (all panels) and secured at the cab. DO NOT DRIVE with cover in partially opened position.



Remove any snow or foreign matter before folding



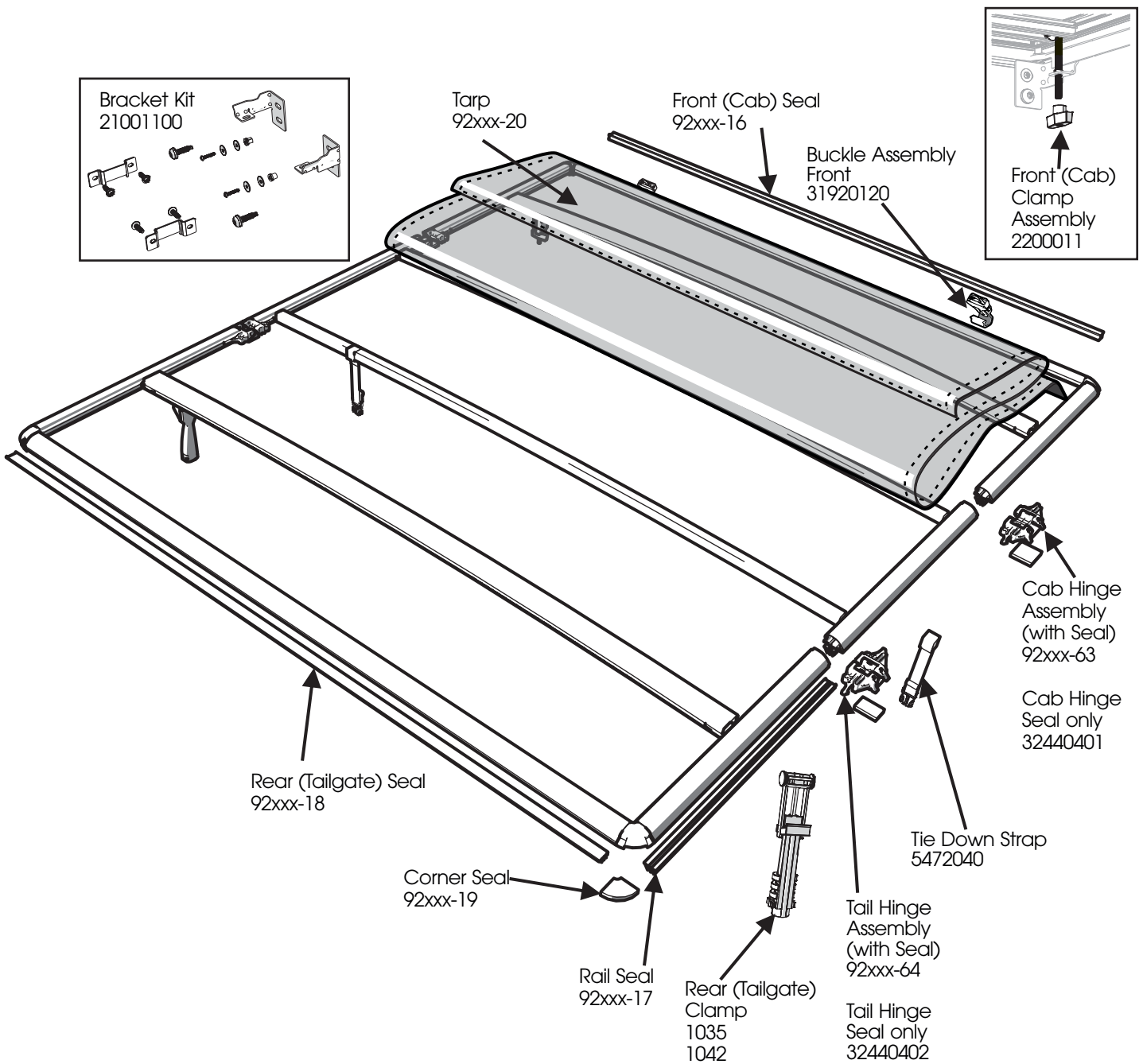
Do NOT tow your vehicle from the rear with any bed cover on your truck.



Soft Folding Truck Bed Cover

To order replacement parts, it is best to contact our Customer Service Department for assistance, this will ensure that you will get the correct part for your vehicle application. This includes frame or bow sections. When ordering, the xxx represents the 3digit suffix as referenced on the sales receipt or vehicle application list.

Specify the year, make, model, bed length, driver or passenger side.
Customer Service Department- 800 449-6649



Soft Folding Truck Bed Cover

WARRANTY DURATION

Rugged Ridge offers a 5-year warranty against defective materials or workmanship on the soft folding truck bed cover rails, aluminum components, clamps, bows, hardware.

Rugged Ridge offers a 5-year warranty against defective materials or workmanship on the soft folding truck bed cover vinyl covering. The warranty applies to the original consumer/purchaser. Warranty registration must be on file and/or proof of original purchase (detailed and dated receipt) required for warranty to be effective. Warranty coverage starts from the date of purchase.

WARRANTY CONDITIONS

This warranty is against defective materials and workmanship. The warranty is void if the product has been damaged by accident, unreasonable use, neglect, improper service/installation/removal, modifications, normal wear and tear or other causes not arising out of defective materials or workmanship. Interference with this product with other installed accessories or trailers is not covered. Consequential and incidental damages are not covered under this warranty.

THE FOLLOWING CONDITIONS WILL ALSO VOID THE WARRANTY

- Wind whip damage- Tarps must be secured at all points when vehicle is in motion. An unsecured tarp will flap, resulting in damage to the fabric.
- Improper cleaning- It is recommended to clean with soap and water only. Do not use vinyl conditioners (i.e. Armor All®) because they will shrink the vinyl.
- Over loading of cargo- Cargo should not touch the tonneau's tarp at any point. Protrusions in the tarp will stress the fabric. Cargo may shift while traveling and cause it to push against the tarp fabric and damage it.
- Do NOT tow your vehicle from the rear with any Rugged Ridge tonneau cover on your truck.



PERFORMANCE

Provided all warranty conditions are met Rugged Ridge will either repair or replace (at Rugged Ridge's option) the product or component. Rugged Ridge may require the original item to be returned postage prepaid for final determination. Rugged Ridge reserves the right to substitute and offer the respective warranty discount on an entire replacement system or provide other remedies than those listed in this warranty for discontinued products or other reasons. A return authorization number must be obtained from our customer service department prior to returning any product. Shipping charges will apply for any repair or replacement. This warranty gives you specific legal rights and you may also have other legal rights which vary from state to state.

REPLACEMENT PARTS

Every truck bed cover is specifically designed to fit your truck. Please contact Rugged Ridge Customer Service at 800-449-6649 or open a support ticket at www.omixsupport.net to have a specialist assist you with your truck bed cover.

